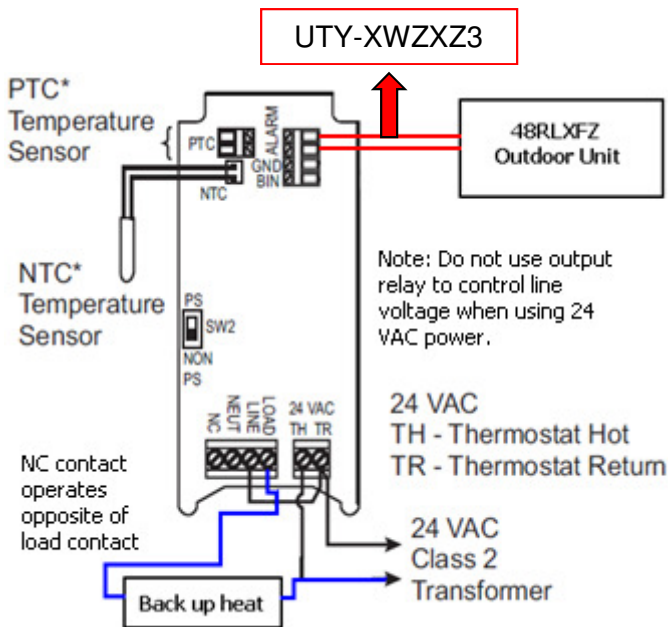


Tech Tips

Secondary Heat Source 48RLXFZ(1)

In locations where weather conditions exceed the operating range of the outdoor unit, model AOU48RLXFZ, there is an easy way to integrate an automated heating system changeover circuit so that a secondary heating source can be brought **ON** seamlessly. By adding a third party device and using the emergency stop function, you are able to shut the system off and turn on a secondary heat source when outdoor ambient falls below operating ranges. A wire kit part number UTY-XWZXZ3 is required to use this function, along with a third party device. Fujitsu tested this function using the following control:16E09-101 Emerson Universal electronic temperature control.



NOTE You need to use function F2 mode. Function number 20, setting number 01. I/O connector CN934. For instruction on setting functions refer to the install manual.

Caution: Turn off power when making wire connections.

NOTE: The system will have to be turn on manually by a remote once the ambient temperatures are within operating range.

In order to perform some of these tests an electrical and/or refrigerant license is required. We strongly advise to check the Service manual for more detailed explanation. If you are not sure about these recommendations please contact us at 866-952-8324.