

Tech Tips

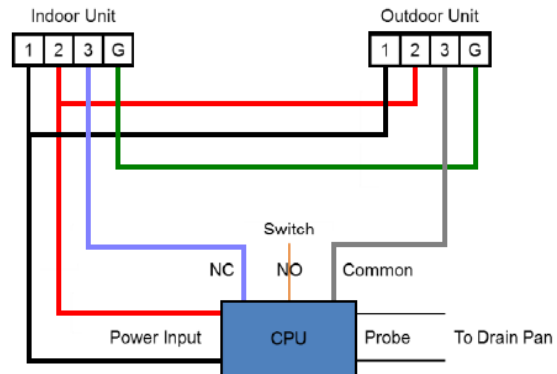
Electronic Condensate Overflow Switch

The Safe-T-Switch SS610E condensate switch is compatible with all wall mounted ASU's models. It senses high condensate levels in the drain pan and shuts the system off to prevent condensate overflow.

Wiring Diagram Option:1

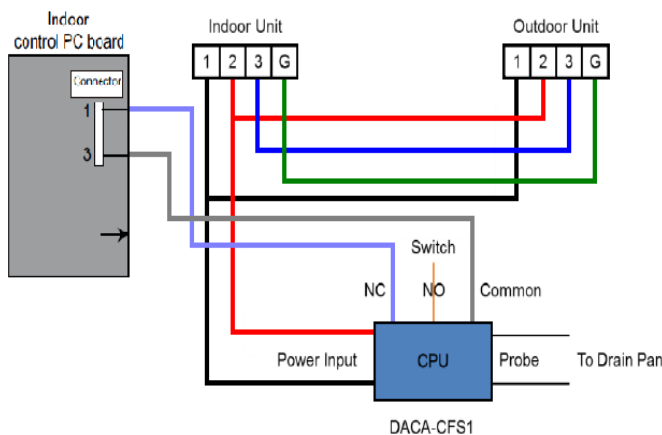
Option:1

This option is for non-HFI models only. You will need to break the terminal 3 (communication wire) through the NC contacts of the float switch. This will shut off the outdoor unit and create a communication error code.



NOTE: Keep the wires as short as possible when installing the float switch.

Wiring Diagram Option:2



Option:2

This option is only available for HFI models. A forced stop function and dry contact kit are required to use this function. Additional parts are required if you have the following models. ASU7,9,12RLF,15RLS and 15RLS2. Refer to page 10 of our Fujitsu catalog for the right accessories for your system.



Tech Tips

Indoor models and required accessories.

ASU Models	Interface kit	Dry contact Wire kit
18,24RLF	(Refer to Option 2)	UTY-XWZX (Refer to Option 2)
7,9,12RLF	UTY-XCBXZ1	UTY-XWZX (Refer to Option 2)
9,12,15RLS2	UTY-TWBXF	UTY-XWZXZ5 (Refer to Option 2)
15RLS	UTY-XCBXZ1	UTY-XWZX (Refer to Option 2)
30,36CLX1,30CLX,36CL 18,24RLXS,24CL1	(Refer to Option1)	(Refer to Option1)
9,12R2,30RLX,18,24CL, 12RL,15,18RLQ,9,12RLS	(Refer to Option1)	(Refer to Option 1)
9,12,18RLMQ	(Refer to Option1)	(Refer to Option1)

The Safe-T-Switch SS610E can be purchased through your local distributor.

Tech Tips

Install the float switch sensor on the right hand side of the indoor heat exchanger. Refer to image 1.

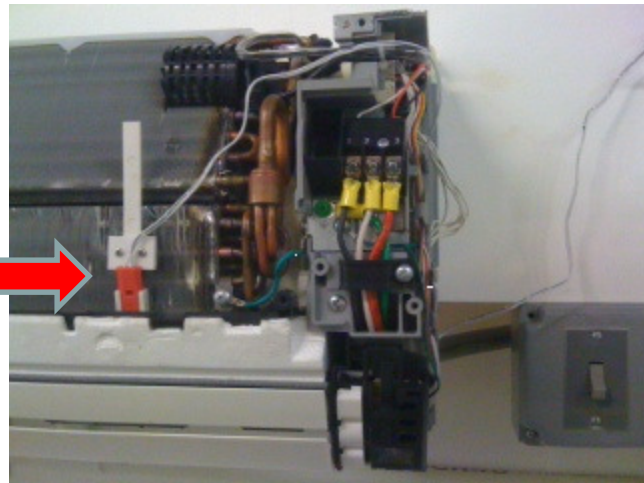


Image 1



The CPU for the Float Switch can be mounted on the side of the indoor unit . Refer to image 2

Image 2