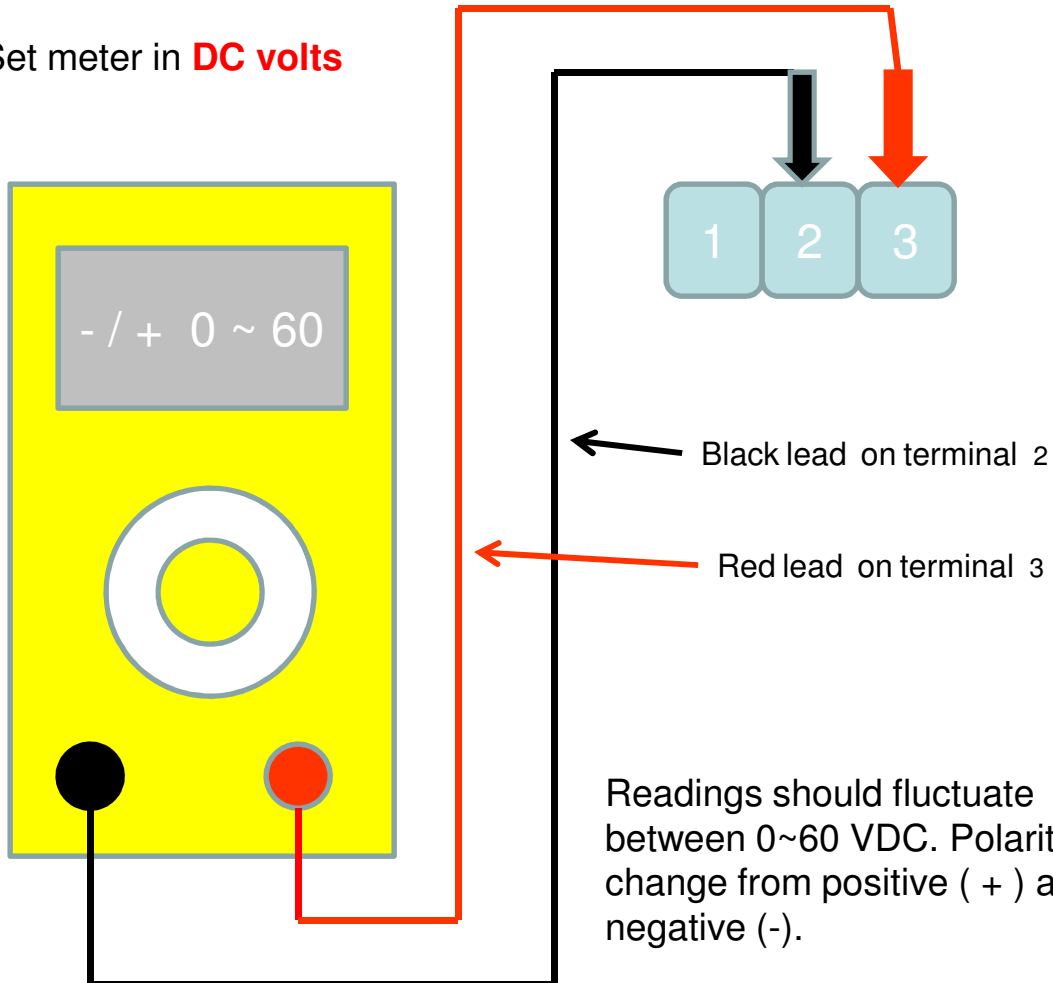


Communication check

HFI Models

Set meter in **DC volts**



Readings should fluctuate between 0~60 VDC. Polarity will change from positive (+) and negative (-).

All positive readings would indicate a problem with outdoor unit and testing of the PCB will be required.

All negative readings would indicate a problem with indoor unit and replacement of the indoor PCB may be required.