

**Submittal Data: AUU7RLF  
Inverter Driven Heat Pump**

**7,000 BTU Compact Cassette**

Job Name: \_\_\_\_\_

Date: \_\_\_\_\_

Location: \_\_\_\_\_

Approval: \_\_\_\_\_

Engineer: \_\_\_\_\_

Construction: \_\_\_\_\_

Submitted to: \_\_\_\_\_

Unit #: \_\_\_\_\_

Submitted by: \_\_\_\_\_

Drawing #: \_\_\_\_\_

Reference: \_\_\_\_\_

**General Features**

- Refrigerant Type R410A
- Wired and wireless remote controller
- Auto changeover
- Weekly timer
- Removable open panel
- Super quiet operation
- Removable intake grille
- Mildew-resistant filter
- Swing operation
- 5 years standard parts warranty
- Eligible for 10 year or 12 year parts warranty. See warranty statement for details.

**Model Information**

Evaporator..... AUU7RLF  
 Condenser compatibility..... AOU18RLXFZ, AOU18RLXFZH  
 AOU24RLXFZ, AOU24RLXFZH  
 AOU36RLXFZ, AOU36RLXFZ1, AOU36RLXFZH  
 AOU45RLXFZ, AOU48RLXFZ, AOU48RLXFZ1

**Electrical**..... 208/230V AC 1ph-60Hz  
 Available Voltage Range..... 208/230 +/- 10%  
 Input Power..... 18W  
 Running Current..... 0.15 A

**Capacity**  
 Nominal Cooling..... 7,000 Btu/h

**Fan Motor**  
 Type: DC ..... Turbo fan x1  
 Motor Output..... 54 W  
 Fan Motor Protection..... off: 212 ±18°F (100 ±10°C)  
 on: 203 ±18°F (95 ±10°C)

**Airflow Rate**  
 Cooling (High / Medium / Low / Quiet)  
 318 CFM (540 m3/h) / 288 CFM (490 m3/h) / 259 CFM (440 m3/h) / 230 CFM (390 m3/h)  
 Heating (High / Medium / Low / Quiet)  
 318 CFM (540 m3/h) / 288 CFM (490 m3/h) / 259 CFM (440 m3/h) / 230 CFM (390 m3/h)

**Heat Exchanger**  
 Dimensions  
 (H x W x D) in. (mm)..... 8-9/32 x 51-9/16 x 17/32 + 8-9/32 x 49-7/32 x 17/32  
 (210x1310x13.3 + 210x1250x13.3)  
 Fin Pitch..... 21 FPI  
 Rows x Stages..... 2 x 10  
 Pipe Type (Material)..... Copper  
 Fin Type..... Aluminum



**Temperature Setting Range**

Cooling..... 64°F - 90°F (18°C - 32 °C)  
 Heating..... 60°F - 88°F (16°C - 30°C)

**Enclosure**

Material..... Galvanized Steel Sheet

**Sound Pressure Level**

Cooling  
 High/Medium/Low/Quiet..... 33 dB (A) / 31 dB (A) / 29 dB (A) / 27 dB (A)  
 Heating  
 High/Medium/Low/Quiet..... 34 dB (A) / 32 dB (A) / 29 dB (A) / 27 dB (A)

**Dimensions**

H x W x D  
 in. (mm)..... 9-21/32 x 22-7/16 x 22-7/16 (245x570x570)  
 Cassette Grille..... UTG-CCGF (sold separately)  
 H x W x D  
 in. (mm)..... 1-15/16 x 27-9/16 x 27-9/16 (49x700x700)

**Connection Pipe**

Liquid..... 1/4" in. (6.35 mm)  
 Gas..... 3/8" in. (9.52 mm)  
 Method (Liquid/Gas)..... Flare  
 Drain hose

Material..... Hard PVC  
 Size..... Ø3/4 (I.D.), Ø1-1/16 (O.D.) [Ø20.7 (I.D.), Ø26.6 (O.D.) mm]

**Internal Drain Pump**

Internal lift..... 27-9/16"

**Weight**

Net..... 33 lbs. (15 kg)  
 Gross..... 40 lbs. (18 kg)  
 Cassette Grille..... 5.7 lbs. (2.6 kg) Net / 10 lbs. (4.5 kg) Gross

**Accessories**

Wired Remote Controller..... UTY-RNNUM  
 Backlit Display..... UTY-RVNUM  
 Simple Remote Controller..... UTY-RSNUM  
 Wireless Remote Controller..... UTY-LNHUM  
 Dry Contact Wire Kit..... UTY-XWZX  
 High Humidity Insulation Kit..... UTZ-KXGC  
 Air Outlet Shutter Plate..... UTR-YDZB  
 Fresh Air Intake..... UTZ-VXAA

**Intertek® ETL Number**

AUU7RLF..... 3170288

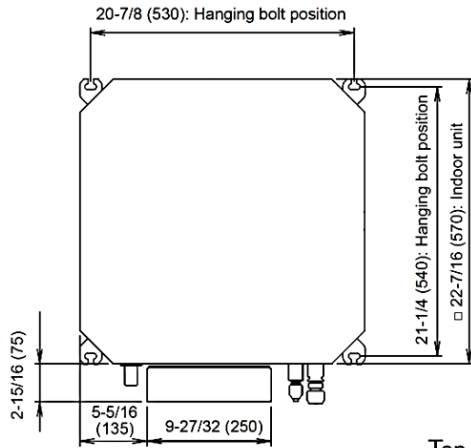
Note: Specifications are based on the following conditions.  
 Cooling: Indoor temperature of 80°F (26.7°C) DB/67°F (19.44°C) WB, and outdoor temperature of 95°F (35°C) DB/75°F (23.9°C) WB.  
 Heating: Indoor temperature of 70°F (21.11°C) DB/59°F (15°C) WB, and outdoor temperature of 47°F (8.33°C) DB/43°F (6.11°C) WB.  
 Pipe length: 24ft. 7in. (7.5m), Height difference: 0ft. (0m) (Outdoor unit - indoor unit)



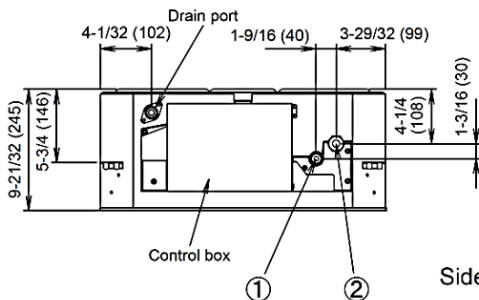
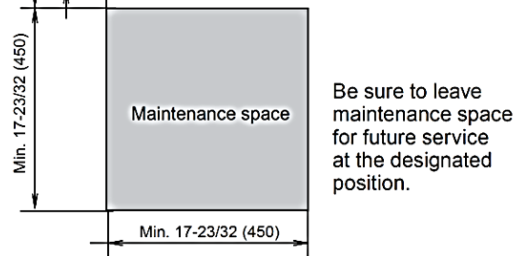
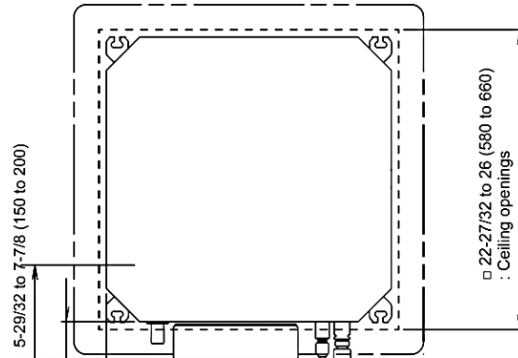
## Dimensions: AUU7RLF

[Unit: in. (mm)]

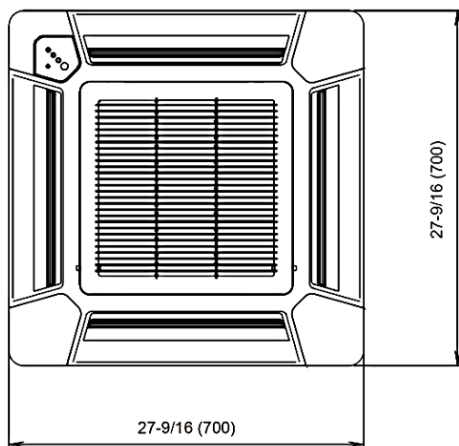
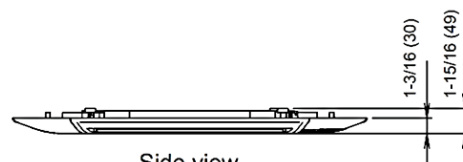
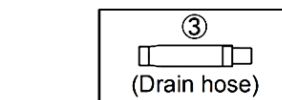
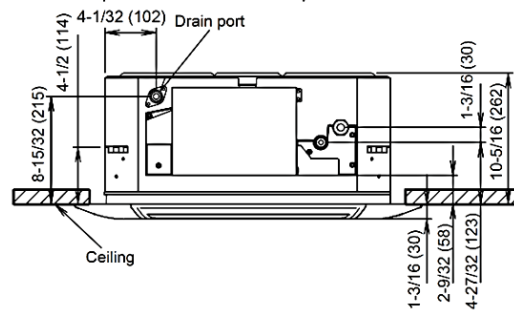
• Cassette grille mounting state



Top view



Side view



Bottom view

## Dimensions: AUU7RLF

### ■ Installation Place

[Unit: in. (mm)]

