

Job Name: \_\_\_\_\_

Date: \_\_\_\_\_

Location: \_\_\_\_\_

Approval: \_\_\_\_\_

Engineer: \_\_\_\_\_

Construction: \_\_\_\_\_

Submitted to: \_\_\_\_\_

Unit #: \_\_\_\_\_

Submitted by: \_\_\_\_\_

Drawing #: \_\_\_\_\_

Reference: \_\_\_\_\_

**General Features**

- Refrigerant Type R410A.
- Wired remote controllers
- 4-way air distribution
- Pump Down Operation
- Group control
- 2- Years Parts, 6-Years Compressor Warranty (See Warranty Statement for details)
- 24 hr. Timer

**Model Information**

Condenser..... AOU24RLX  
Cassette..... AUU24RCLX

**Electrical**..... 208/230V AC 1ph-60Hz  
Available Voltage Range..... 187/253 +/- 10%  
Max Fuse Size..... 20 A  
Max Starting Current..... 9.5 A

**Input Power**

Cooling..... 2.10 kW  
Heating..... 2.37 kW

**Running Current**

Cooling..... 9.2 A  
Heating..... 10.4 A

**Capacity**

Nominal Cooling..... 22,200 Btu/h  
Rated / Max Cooling..... 22,200 / 27,300 Btu/h  
Nominal Heating..... 24,200 Btu/h  
Rated / Max Heating..... 24,200 / 29,000 Btu/h

**Compressor**..... DC Twin Rotary (Inverter)

Motor Output..... 1,300 W  
Refrigerant..... R410a  
Charge..... 4 lbs. 3-1/32 oz.  
Oil..... POE

**Fan Motor**

(Condenser) Type: DC ..... Propeller x1  
(Condenser) Motor Output..... 100 W  
(Cassette) Type: DC..... Turbo x2  
(Cassette) Motor Output..... 42 W  
Thermal Protection

Condenser..... 212°F +27 -18  
Cassette..... 302±9°F

**Heat Exchanger**

Condenser  
(H x W x D) in. (mm)..... 31-13/32 x 35-7/16 x 1-7/16 (798x900x36.38)  
Fin Pitch..... 20 FPI  
Rows x Stages..... 2 x 38  
Pipe Type (Material)..... Copper  
Fin Type (Material)..... Aluminum



**Operation Temperature Range**

Cooling..... 0°F - 115°F (-18°C - 46°C)  
Heating..... 14°F - 75°F (-10°C - 24°C)

**Efficiency**

SEER..... 15.0  
HSPF (heating)..... 8.5 Btu/hW

**Enclosure**

(Condenser) Material..... Steel  
(Condenser) Color..... Beige (approximate color or Munsell 10 YR 7.5/1.0)  
(Cassette) Material..... Polystyrene  
(Cassette) Color..... White (5Y9/0.5NN)

**Sound Pressure Level**

Condenser..... 55 dB(A)  
Cassette..... 45 dB(A)

**Dimensions**

H x W x D  
Condenser in. (mm)..... 32-11/16 x 35-7/16 x 13 (830x900x330)  
Cassette in. (mm)..... 9-11/16 x 32-11/16 x 32-11/16 (246x830x830)

**Connection Pipe**

Liquid..... 3/8"  
Gas..... 5/8"  
Method (Liquid/Gas)..... Brazing  
Pre-charge..... 49 ft. (15 m)  
Minimum Length..... 16 ft. (5 m)  
Max Length..... 164 ft. (50m)  
Max Height Difference..... 66 ft. (20m)  
Internal Drain Pump Lift..... 31"

**Weight**

Condenser..... 141 lbs. (64 kg)  
Cassette..... 75 lbs. (34 kg)

**Accessories**

Wired Remote Controller..... UTY-RNBYU

**Safety Devices**

(Condenser) Current Fuse on Main PCB..... 3.15A 250V & 5A 250V  
Compressor Protection (Thermal protector)..... off: 257°F on: 176°F  
High Pressure Protection..... off: 609±15psi on: 464±22psi  
(Evaporator) Current Fuse on Main PCB..... 3.15A 250V

**Intertek®ETL Number**

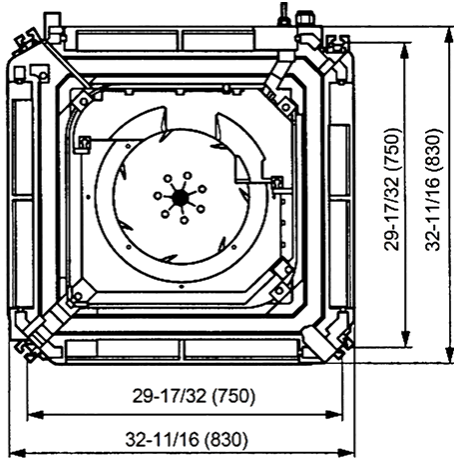
AOU24RLX..... 91987  
AUU24RCLX..... 91987



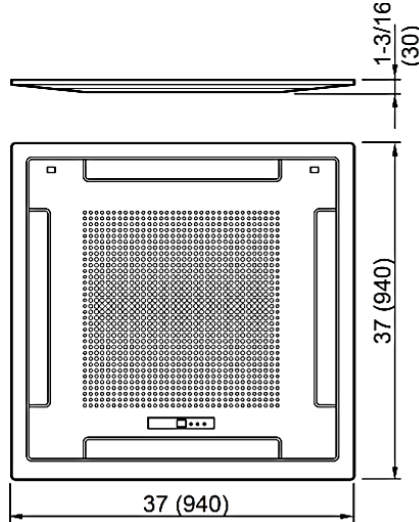
Note: Specifications are based on the following conditions.  
Cooling: Indoor temperature of 80°F (26.7°C) DB/67°F (19.44°C) WB, and outdoor temperature of 95°F (35°C) DB/75°F (23.9°C) WB.  
Heating: Indoor temperature of 70°F (21.1°C) DB/59°F (15°C) WB, and outdoor temperature of 47°F (8.33°C) DB/43°F (6.11°C) WB.  
Pipe length: 24ft. 7in. (7.5m). Height difference: 0ft. (0m) (Outdoor unit—indoor unit)

# Dimensions:24RCLX

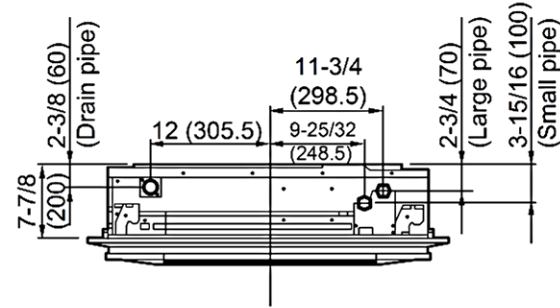
[Unit: in. (mm)]



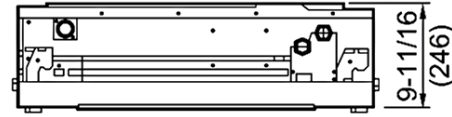
Bottom view



Bottom view (Panel)

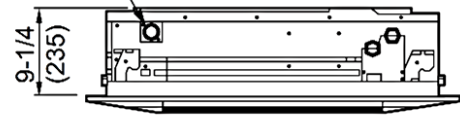


Side view (Slender setting)



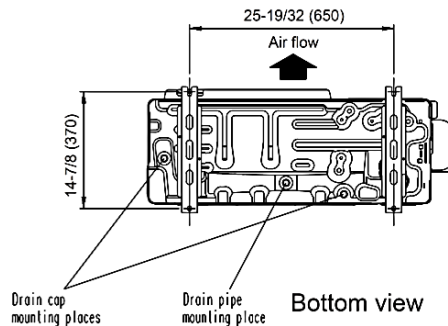
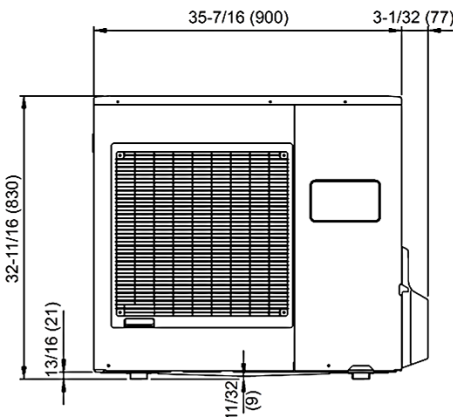
Side view

Drain inside Dia.  $\phi$ 32mm  
outside Dia.  $\phi$ 37mm



Side view (Standard setting)

Top view



Bottom view

