

**Submission Data: 24RLXFZ  
Inverter Driven Heat Pump**

**24,000 BTU Multi Zone System**

Job Name: \_\_\_\_\_

Date: \_\_\_\_\_

Location: \_\_\_\_\_

Approval: \_\_\_\_\_

Engineer: \_\_\_\_\_

Construction: \_\_\_\_\_

Submitted to: \_\_\_\_\_

Unit #: \_\_\_\_\_

Submitted by: \_\_\_\_\_

Drawing #: \_\_\_\_\_

Reference: \_\_\_\_\_

**General Features**

- Wired or wireless remote
- Apple catechin filter
- Ion deodorizing filter
- Auto louver: up/down
- Auto louver: 4-way
- Low ambient cooling
- Cold prevention
- Blue fin coating
- Standard Warranty: 5 years parts, 7 years compressor. Applies to systems purchased before June 1<sup>st</sup> 2015\*
- Extended Warranty: 10 years parts, 10 years compressor. Systems that have been installed on or after June 1<sup>st</sup> 2015 by licensed contractors and the online Product Registration has been submitted.\*\*
- Elite Contractor Extended Warranty: 12 years parts, 12 years compressor. Systems that have been installed on or after June 1<sup>st</sup> 2015 by contractors who have met requirements and have been approved for elite contractor status plus, the online Product Registration has been submitted.\*\*\*

**Model Information**

Condenser..... AOU24RLXFZ  
Evaporator..... (ASU) / (ARU) / (AGU) / (AUU) 7,9,12RLF(1)  
Connectable indoor units..... 2 - 3  
Total capacity range..... 14,000 – 27,000 Btu/h

**Electrical**..... 208/230V AC 1ph-60Hz  
Available Voltage Range..... 208/230 +/- 10%  
Minimum Circuit Ampacity..... 17 A  
Max Fuse Size..... 20 A  
Max Starting Current..... 9.0 A

**Input Power**

Cooling..... (non-duct) 1.76 kW / (ducted) 2.08 kW / (mix) 1.90 kW  
Heating..... (non-duct) 1.73 kW / (ducted) 2.05 kW / (mix) 1.88 kW

**Current**

Cooling..... (non-duct) 7.7 A / (ducted) 9.1 A / (mix) 8.4 A  
Heating..... (non-duct) 7.6 A / (ducted) 9.0 A / (mix) 8.3 A

**Capacity**

Nominal Cooling..... 22,000 Btu/h  
Min-Max Cooling..... 6,100 – 27,000 Btu/h  
Nominal Heating..... 24,000 Btu/h  
Min-Max Heating..... 6,800 – 29,800 Btu/h

**Compressor**

Motor Output..... Rotary (inv x1)  
Refrigerant..... 1,100 W  
Refrigerant..... R410a  
Charge..... 4 lbs. 14 oz  
Oil..... POE

**Fan Motor**

(Condenser) Type: DC..... Propeller x1  
(Condenser) Motor Output..... 100 W  
(Evaporator) Type: DC..... (wall-mount) Cross flow  
(compact cassette) Turbo  
(ducted) Sirocco x2 (18 k x3)  
(floor) Cross flow x2

(Evaporator) Motor Output..... (wall) 30W-42W (compact cassette) 54W (ducted) 80-81W  
**Heat Exchanger**..... (floor) 16W  
Dimensions (condenser)  
(H x W x D) in. (mm)..... 26-7/16 x 35-7/16 x 1-7/16 (672x900x36.38)  
Fin Pitch..... 18 FPI  
Rows x Stages..... 2 x 32  
Pipe Type (Material)..... Copper  
Fin Type (Material)..... Aluminum (Blue fin)



**Operation Temperature Range**

Cooling..... 14°F - 115°F (-10°C - 46°C)  
Heating..... 5°F - 75°F (-15°C - 24°C)

**Efficiency**

SEER<sup>NA</sup>..... (wall-mount) 18 (duct) 15.50 (mix) 16.75  
EER (cooling).. (wall-mount) 12.50 Btu/W (duct) 10.60 Btu/W (mix) 11.55 Btu/W  
COP (heating)..... (wall-mount) 4.04 W/W (duct) 3.42 W/W (mix) 3.74 W/W  
HSPF (heating)..... (wall-mount) 9.50 (duct) 9.00 (mix) 9.25

**Enclosure (Condenser)**

Material..... Painted galvanized steel  
Color..... Beige (10 YR 7.5/1.0 NN)

**Sound Pressure Level**

Condenser..... 52 dB(A)

**Dimensions**

H x W x D  
Condenser  
Net in. (mm)..... 27-9/16 x 35-7/16 x 13 (700x900x330)  
Gross in. (mm)..... 32-7/8 x 41-5/16 x 17-1/2 (835x1050x445)

**Connection Pipe**

Liquid..... 1/4" x3  
Gas..... 3/8" x2 + 1/2" x1  
Method (Liquid/Gas)..... Brazing  
Max Length (Pre-charge)..... 164ft. (50m) / (98 ft. {30m})  
Max Height Difference..... 49 ft. (15m)

**Weight**

Condenser..... 124 lbs. (56 kg)  
Evaporators..... (wall-mount) 19 lbs. - 31 lbs.  
(compact cassette) 33 lbs.  
(ducted) 37 lbs. - 49 lbs.  
(floor) 31 lbs.

**Accessories**

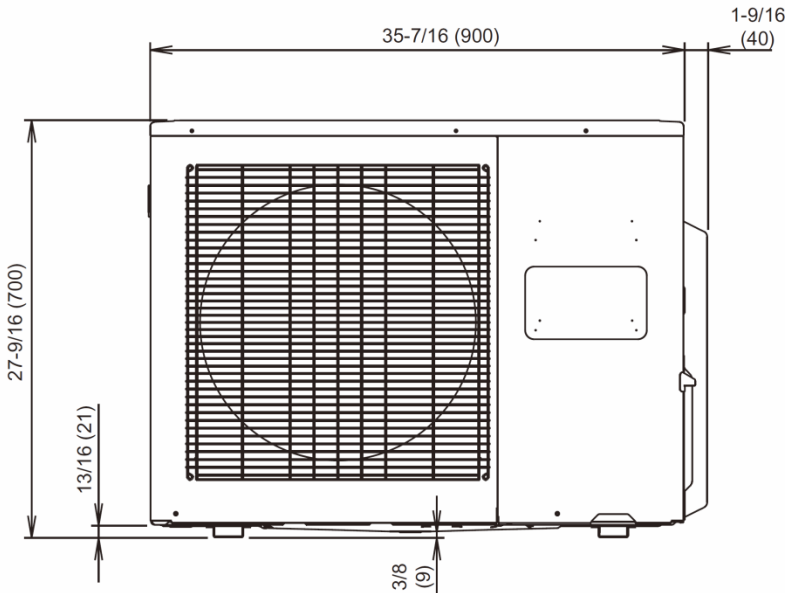
Wired Remote Controller..... UTY-RVNUM  
Wired Remote Controller..... UTY-RNNUM  
Simple Remote Controller..... UTY-RSNUM

\*Reference brochure for approved combinations. \*\*Test conditions are based on AHRI 210/240.  
Note: Specifications are based on the following conditions: Cooling: Indoor temperature of 80°F (26.7°C) DB/67°F (19.44°C) WB, and outdoor temperature of 95°F (35°C) DB/75°F (23.9°C) WB. Heating: Indoor temperature of 70°F (21.11°C) DB/59°F (15.°C) WB, and outdoor temperature of 47°F (8.33°C) DB/43°F (6.11°C) WB. Pipe length: 24ft. 7in. (7.5m). Height difference: 0ft. (0m) (Outdoor unit – indoor unit) (\*\*Standard warranty\*\*10 year warranty/ \*\*\*12 year warranty)

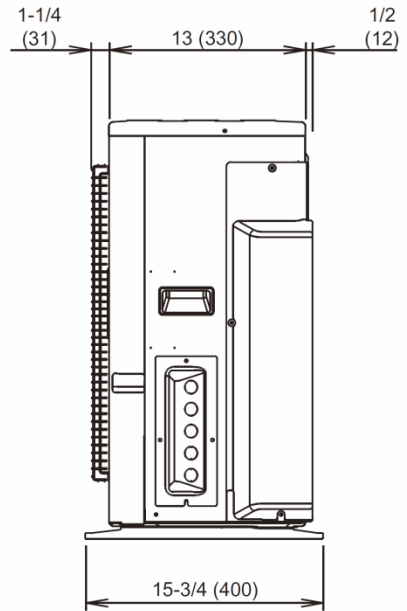


## Dimensions:24RLXFZ

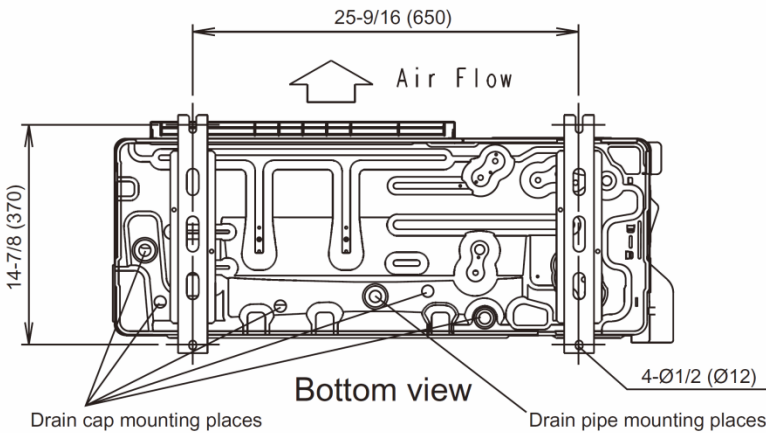
[Unit: in. (mm)]



Front view



Side view



Bottom view

