

# AOU18RLXFW Submittal



## ASU18RLF

### Inverter Driven Heat Pump

Job Name: \_\_\_\_\_  
 Location: \_\_\_\_\_  
 Engineer: \_\_\_\_\_  
 Submitted to: \_\_\_\_\_  
 Submitted by: \_\_\_\_\_  
 Reference: \_\_\_\_\_

Approval: \_\_\_\_\_  
 Date: \_\_\_\_\_  
 Construction: \_\_\_\_\_  
 Unit #: \_\_\_\_\_  
 Drawing #: \_\_\_\_\_

**Outdoor Unit Power** 208-230/VAC-1Ph-60Hz  
 Available Voltage Range 187-253VAC  
 Fuse Size, Max. 20A  
 MCA 17A

**Compressor** Inverter Driven Variable Speed DC Rotary  
 No. used 1  
 Output 2,100W  
 Lubrican Oil POE (RB68)

**Fan type** Propeller  
 Motor Output 100W  
 Airflow rate Cooling/Heating (High) 1489 / 2530CFM

**Refrigerant** R410A  
 Outdoor unit 4lbs 10.1oz  
 Control Electronic Expansion Valve  
 O.D. Discharge (in) 3/8"(Flare)  
 O.D Suction (in) 5/8"(Flare)

**Dimensions** H x W x D  
 Uncrated (in) 32-3/4 x 35-3/8 x 13  
 (mm) (830 x 900 x 330)  
 Crated (in) 38-1/4 x 41-1/2 x 17-1/2  
 (mm) (970 x 1050 x 445)

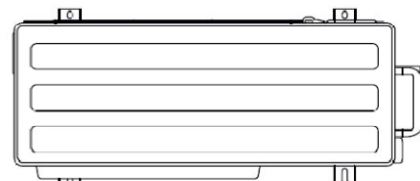
**Weight** Outdoor  
 Net 135lbs (61kg)  
 Gross Shipping 150lbs (68kg)

**Cooling**  
 Rated Capacity 18,000BTU/h  
 Min-Max Capacity 7,000~23,000BTU/h  
 Rated Power Input 1.35kW  
 Max. Power Input 3.01kW  
 SEER 19.2  
 EER 13.3  
 Outdoor Sound Rating 47dB

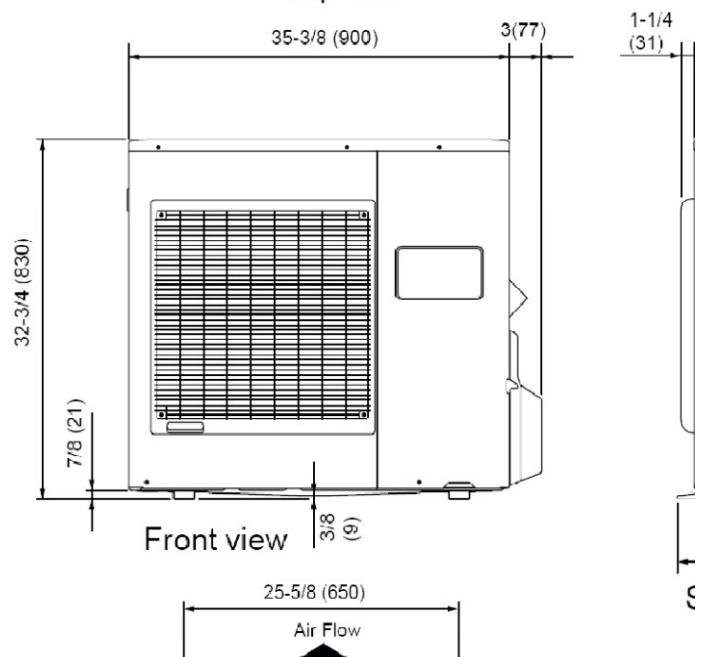
**Heating**  
 Rated Capacity 21,600BTU/h  
 Min-Max Capacity 7,500~31,000BTU/h  
 Rated Power Input 1.80kW  
 Max. Power Input 3.01kW  
 HSPF 10.0  
 EER 12.0  
 Outdoor Sound Rating 50dB

**Piping Lengths**  
 Max. Piping Length (Total) 164ft  
 Max. Pipe Height Difference 98ft  
 Connection method (Flared)

**Operating Range**  
 Cooling 14°F~115°F DB  
 Heating 5°F~75°F DB



Top view



Fujitsu General America, Inc.  
 Fairfield, NJ 07004  
 Toll Free: 1-888-888-3424  
 Fax: (973) 836-0447  
 www.fujitsugeneral.com

Fujitsu products are subject to continuous improvements. Fujitsu reserves the right to modify product design, specifications and information in this data sheet without notice and without incurring any obligations.

Note: Specifications are based on the following conditions.

Power source of specifications : 230V

Cooling: Indoor temperature of 80°F(26.67°C)DB / 67°F(19.44°C)WB, and outdoor temperature of 95°F(35°C)DB/75°F(23.89°C)WB.

Heating: Indoor temperature of 70°F(21.11°C)DB / 60°F(15.56°C)WB, and outdoor temperature of 47°F(8.33°C)DB/43°F(6.11°C)WB.

Pipe length : 24ft. 7in.(7.5m),Height difference : 0 ft.(0m) [Outdoor unit - Indoor unit]



**Indor Unit**

**Model** ASU18RLF  
**Power** 208-230/VAC-1Ph-60Hz  
**Available Voltage Range** 187-253VAC



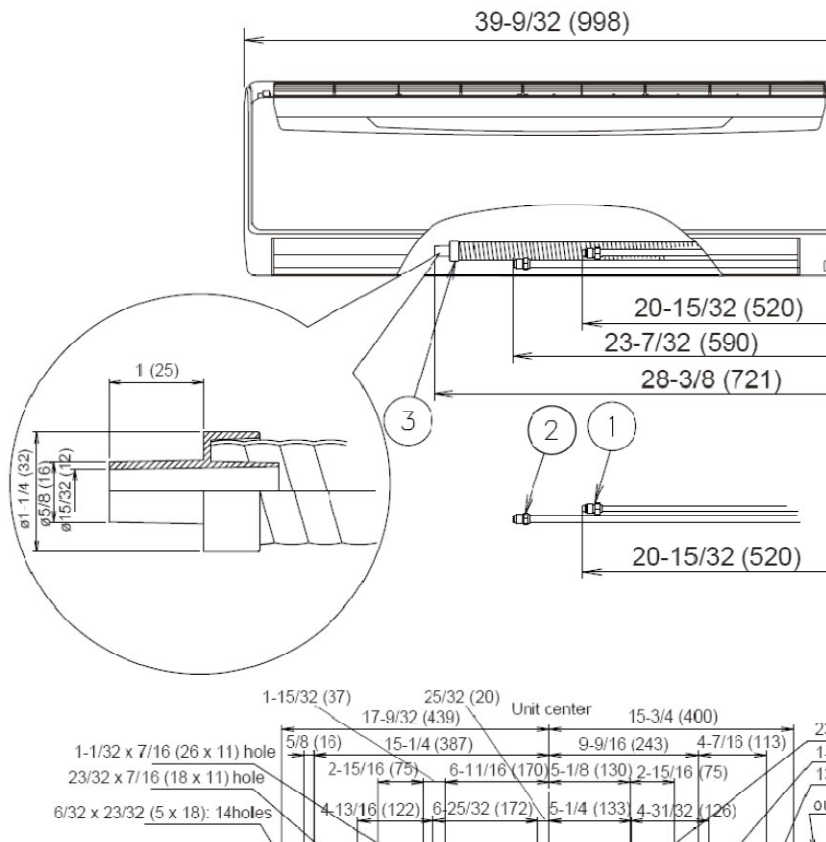
**Fan**  
**Type** Cross flow  
**Motor Output** 64W  
**MCA** 0.3A

**Sound pressure level**  
**Cooling** Lo-Hi 28-43dB  
**Heating** Lo-Hi 28-44dB

**Airflow rate**  
**Cooling** Lo-Hi 306-541 CFM  
**Heating** Lo-Hi 318-541CFM

**Dimensions** H x W x D  
**Uncrated** (in) 12-5/8 x 39-1/4 x 9  
 (mm) (320 x 998 x 228)  
**Crated** (in) 12-3/5 x 42-15/16 x 16-7/8  
 (mm) (319 x 1090 x 429)

**Weight** Indoor  
**Net** 31lbs (8kg)  
**Gross Shipping** 40lbs (10.5kg)



Fujitsu General America, Inc.  
 Fairfield, NJ 07004  
 Toll Free: 1-888-888-3424  
 Fax: (973) 836-0447  
 www.fujitsugeneral.com

Fujitsu products are subject to continuous improvements. Fujitsu reserves the right to modify product design, specifications and information in this data sheet without notice and without incurring any obligations.

