

**Submission Data: 9RLS3
Inverter Driven Heat Pump**

9,000 BTU Wall Mount

Job Name: _____

Date: _____

Location: _____

Approval: _____

Engineer: _____

Construction: _____

Submitted to: _____

Unit #: _____

Submitted by: _____

Drawing #: _____

Reference: _____

General Features

- Wired or wireless remote
- Energy saving program
- High performance heating
- Sleep timer
- 24-hour timer
- Weekly timer
- Dry mode
- Powerful mode
- Standard Warranty: 5 years parts, 7 years compressor. Applies to systems purchased before June 1st 2015*
- Extended Warranty: 10 years parts, 10 years compressor. Systems that have been installed on or after June 1st 2015 by licensed contractors and the online Product Registration has been submitted.**
- Elite Contractor Extended Warranty: 12 years parts, 12 years compressor. Systems that have been installed on or after June 1st 2015 by contractors who have met requirements and have been approved for elite contractor status plus, the online Product Registration has been submitted.***

Model Information

Condenser..... AOU9RLS3

Evaporator..... ASU9RLS3

Electrical..... 208/230V AC 1ph-60Hz

Available Voltage Range..... 208/230 +/- 10%

Minimum Circuit Ampacity..... 13.4 A

Max Fuse Size..... 15A

Max Starting Current..... 3.3 A

Input Power

Cooling..... 0.5 kW

Heating..... 0.66 kW

Running Current

Cooling..... 2.5 A

Heating..... 3.3 A

Capacity

Nominal Cooling..... 9,000 Btu/h

Min-Max Cooling..... 3,100-12,000 Btu/h

Nominal Heating..... 12,000 Btu/h

Min-Max Heating..... 3,100-22,000 Btu/h

Compressor..... Rotary (inv x1)

Motor Output..... 850 W

Refrigerant..... R410a

Charge..... 2 lbs. 14 oz

Oil..... FREOL a68SZ

Fan Motor

(Condenser) Type: DC Propeller x1

(Condenser) Motor Output..... 49 W

(Evaporator) Type: DC..... Cross flow fan x1

(Evaporator) Motor Output..... 61 W

Heat Exchanger (Condenser (C) Evaporator (E))

Dimensions (H x W x D)

Condenser..... 23-1/8 x 34-11/16 x 1-7/16 in. (588x881x36.4 mm)

Evaporator..... Main 15-1/8 x 28-3/8 x 1-3/16 in. (384x720x30) Sub 3-5/16 x 28-3/8 x 1/2 in. (84x720x13.3 mm) 4-15/16 x 28-3/8 x 1/2 in. (126x720x13.3 mm)

Fin Pitch..... 20 FPI (C) Main 21 FPI Sub 18 FPI (E)

Rows x Stages..... 2 x 28 (C) Main 3 x 24 Sub 1 x 10 (E)

Pipe Type (Material)..... Copper (C) Copper (E)

Fin Type (Material)..... Aluminum (C) Aluminum (E)

Note: Specifications are based on the following conditions.

Cooling: Indoor temperature of 80°F (26.7°C) DB/67°F (19.44°C) WB, and outdoor temperature of 95°F (35°C) DB/75°F (23.9°C) WB.

Heating: Indoor temperature of 70°F (21.1°C) DB/59°F (15°C) WB, and outdoor temperature of 47°F (8.33°C) DB/43°F (6.11°C) WB.

Pipe length: 24ft. 7in. (7.5m), Height difference: 0ft. (0m) (Outdoor unit - indoor unit)

(*Standard warranty / **10 year warranty / ***12 year warranty)

Operation Temperature Range

Cooling..... 14°F to 115°F (46°C - -10°C)

Heating..... -5°F to 75°F (24°C - -21°C)

Efficiency

SEER..... 33

EER (cooling)..... 5.28 kW/kW

COP (heating)..... 5.33 kW/kW / 18.2 Btu/hW

HSPF (heating)..... 14.2 Btu/hW

Enclosure

Condenser

Material..... Painted galvanized steel

Color..... Beige (10 YR 7.5/1.0 NN)

Evaporator

Material..... Polystyrene

Color..... White (Approximate color of Munsell 5PB 9.25/0.5)

Sound Pressure Level

Condenser..... 42 dB(A)

Evaporator..... 42 dB(A)

Dimensions

H x W x D

Outdoor in. (mm)..... 24-1/2 (620) x 31-1/8 (790) x 11-7/16 (290)

Indoor in. (mm)..... 11-5/8 (295) x 37 (940) x 10-5/8 (270)

Connection Pipe

Liquid..... 1/4" / 6.35 mm Flare

Gas..... 3/8" / 9.52 mm Flare

Method (Liquid/Gas)..... Brazing

Max Length (Pre-charge)..... 65 ft.(20 m) / (49 ft. {15 m})

Max Height Difference..... 49 ft. (15 m)

Drain Hose

In. (mm)..... Ø 9/16 (Ø13.8) (I.D.) Ø5/8 to Ø11/16 (Ø15.8 to Ø16.7) (O.D.)

Weight

Condenser..... 84 lbs. (38 kg)

Evaporator..... 31 lbs. (14 kg)

Accessories

UTY-RNNUM^..... Wired remote control

UTY-RVNUM^..... Wired remote control (backlit, shows room temp.)

UTY-RSNUM^..... Wired remote control (simple)

UTY-XWZXZ5..... Dry contact wire kit

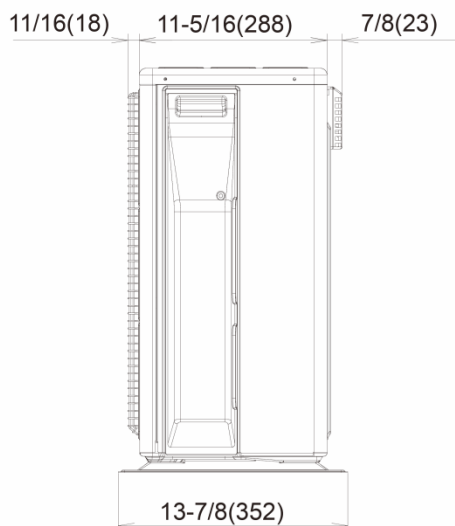
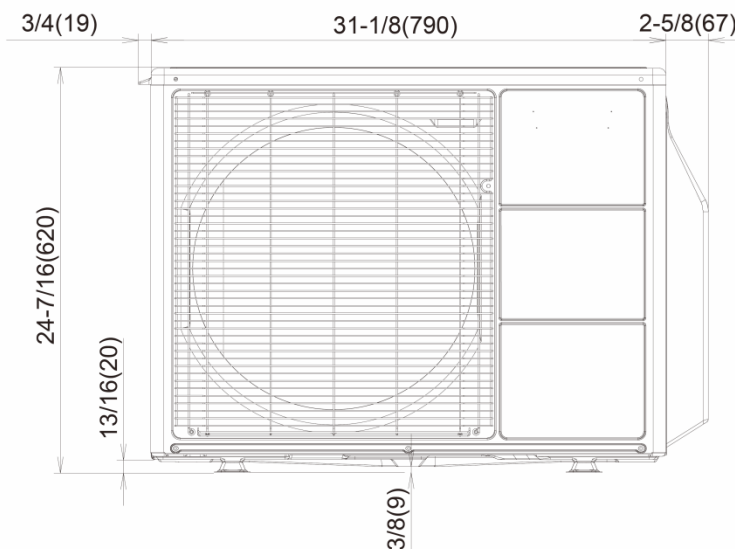
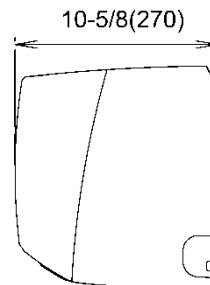
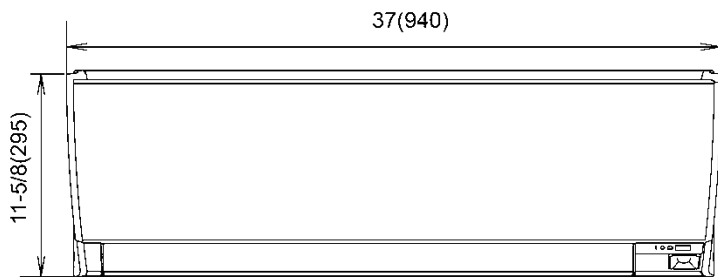
UTY-TWBXF1..... Interface kit

^1 Requires interface kit # UTY-TWBXF1 in order to connect these devices to them.



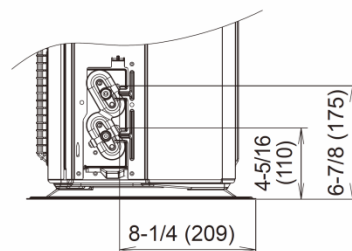
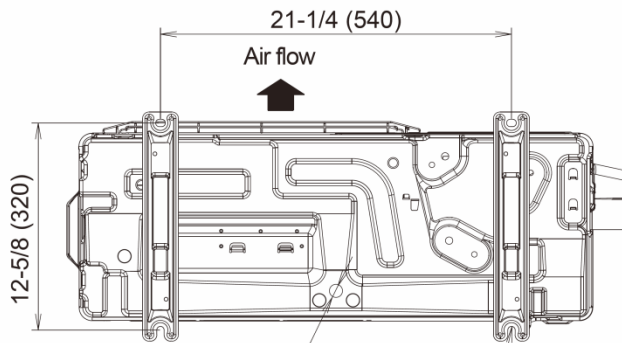
Dimensions: 9RLS3

[Unit: in. (mm)]



Front view

Side view



Drain pipe mounting place (Ø13/16 (20))

4-Ø7/16 (11.3) hole

Bottom view