

**Submission Data: 9RL2
Inverter Driven Heat Pump**

9,000 BTU Heat Pump System

Job Name: _____

Date: _____

Location: _____

Approval: _____

Engineer: _____

Construction: _____

Submitted to: _____

Unit #: _____

Submitted by: _____

Drawing #: _____

Reference: _____

General Features

- Refrigerant Type R410A.
- Wireless remote controller
- Automatic airflow adjustment
- Auto/Cool/Dry/Fan/Heat/modes
- Program timer
- Powerful mode
- Auto changeover
- Low ambient
- Cold prevention
- Standard Warranty: 5 years parts, 7 years compressor. Applies to systems purchased before June 1st 2015*
- Extended Warranty: 10 years parts, 10 years compressor. Systems that have been installed on or after June 1st 2015 by licensed contractors and the online Product Registration has been submitted.**
- Elite Contractor Extended Warranty: 12 years parts, 12 years compressor. Systems that have been installed on or after June 1st 2015 by contractors who have met requirements and have been approved for elite contractor status plus, the online Product Registration has been submitted.***

Model Information

Condenser..... AOU9RL2

Evaporator..... ASU9RL2

Electrical..... 115 V AC 1ph-60Hz

Available Voltage Range..... 103.5 - 126.5 V +/- 10%

Max Fuse Size..... 15 A

Max Operating Current

Evaporator..... 1.0 A

Condenser..... 13.5 A

Input Power

Cooling..... 0.83 kW

Heating..... 0.77 kW

Running Current

Cooling..... 7.5 A

Heating..... 7.0 A

Capacity

Nominal Cooling..... 9,000 Btu/h

Min-Max Cooling..... 1,700 – 10,700 Btu/h

Nominal Heating..... 10,000 Btu/h

Min-Max Heating..... 1,700 – 12,000 Btu/h

Compressor..... Rotary x1

Motor Output..... 700 W

Refrigerant..... R410a

Charge..... 1 lbs. 7 oz.

Oil..... VG74

Fan Motor

Type: DC (condenser)..... Propeller x1

Type: DC (evaporator)..... Cross flow x1

Motor Output (condenser)..... 23 W

Motor Output (evaporator)..... 28 W

Heat Exchanger

Condenser

(H x W x D) in. (mm)..... 19-27/32 x 25-19/32 x 23/32 (504x650x18.2)

Fin Pitch..... 19 FPI

Rows x Stages..... 1x 24

Pipe Type (Material)..... Grooved H-Pin (Copper)

Type (Material)..... Corrugate (Aluminum)

Note: Specifications are based on the following conditions.

Cooling: Indoor temperature of 80°F (26.7°C) DB/67°F (19.44°C) WB, and outdoor temperature of 95°F (35°C) DB/75°F (23.9°C) WB.

Heating: Indoor temperature of 70°F (21.1°C) DB/59°F (15°C) WB, and outdoor temperature of 47°F (8.33°C) DB/43°F (6.11°C) WB.

Pipe length: 24ft. 7in. (7.5m), Height difference: 0ft. (0m) (Outdoor unit – indoor unit)

(*Standard warranty / **10 year warranty / ***12 year warranty)



Operation Temperature Range

Cooling..... 15°F to 115°F (-10°C - 46°C)

Heating..... 15°F to 75°F (-10°C - 24°C)

Efficiency

SEER..... 16.0

EER (cooling)..... 10.8

COP (heating)..... 13.0

HSPF (heating)..... 9.0

Enclosure

Material..... Painted galvanized steel

Color

Condenser..... Beige (10 YR 7.5/1.0 NN)

Evaporator..... White

Sound Pressure Level

Condenser (max)..... 48 dB(A)

Evaporator (max)..... 43 dB(A)

Dimensions

H x W x D

Condenser in. (mm)..... 21-1/4 x 26 x 11-11/32 in. (540x660x290)

Evaporator in. (mm)..... 10-3/32 x 24 x 13/16 x 25/32 (256x630x20)

Connection Pipe

Liquid..... Ø1/4 in. (Ø6.35 mm)

Gas..... Ø3/8 in. (Ø9.52 mm)

Method (Liquid/Gas)..... Flare

Max Length {(Pre-charge)}..... 66 ft. (20 m) {(49 ft.) (15 m)}

Max Height Difference..... 49 ft. (15 m)

Weight

Condenser..... 64 lbs. (29 kg)

Evaporator..... 16 lbs. (7 kg)

Safety Devices

Circuit Protection

Current fuse (main printed circuit board).... 25A/250V / 3.15A/250V / 3.15A/250V

Fan Motor Protection

Terminal protection program..... Off: 302°F (150°C) On: 248°F (120°C)

Compressor Protection

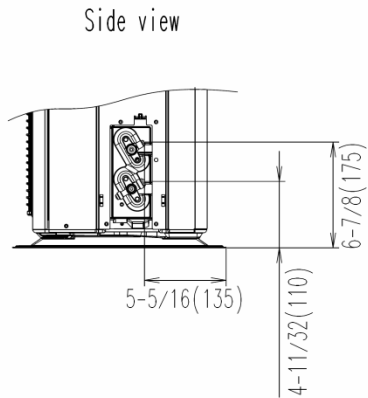
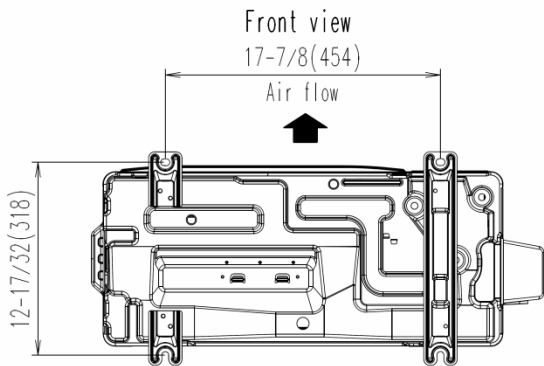
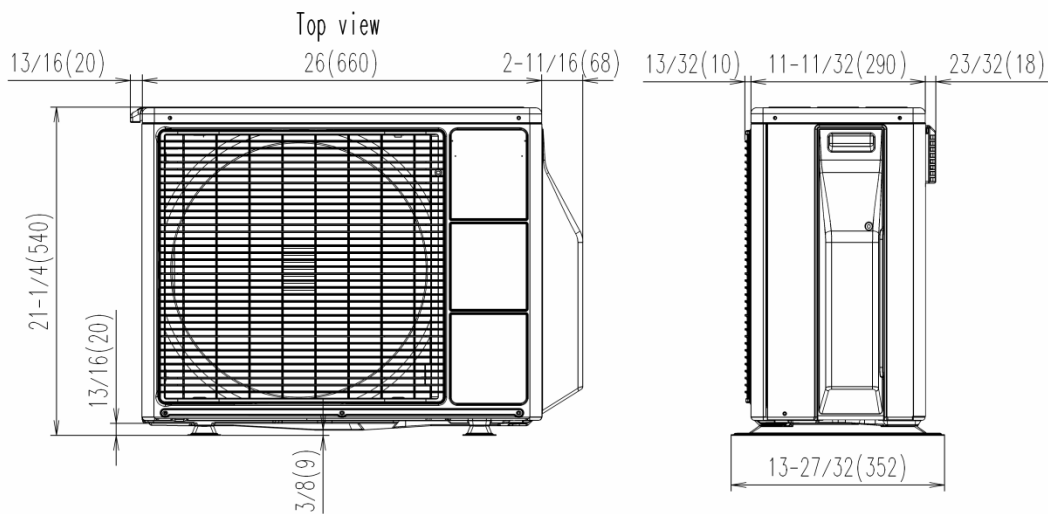
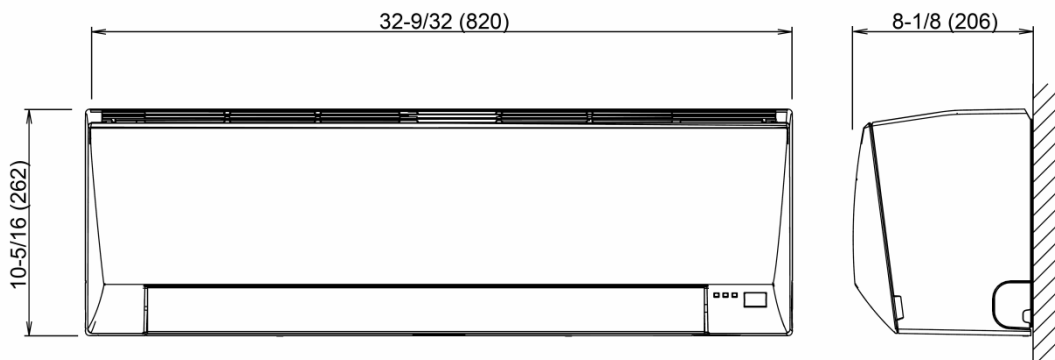
Terminal protection program (comp. temp.)..... Off: 230°F (110°C) On: After 7 minutes



Fujitsu General America, Inc.
353 Route 46 West
Fairfield, NJ 07004
Toll Free: 1-888-888-3424
Fax: (973) 836-0447
www.fujitsu-general.com

Dimensions: 9RL2

[Unit: in. (mm)]



Bottom view

Side view