

Submittal Data: 24CL1
Inverter Driven (Cooling Only)

24,000 BTU Cooling Only System

Job Name: _____

Date: _____

Location: _____

Approval: _____

Engineer: _____

Construction: _____

Submitted to: _____

Unit #: _____

Submitted by: _____

Drawing #: _____

Reference: _____

General Features

- Wired or wireless remote
- Apple catechin filter
- Ion deodorizing filter
- Auto louver: up/down
- Auto louver: 4-way
- Low ambient cooling
- Cold prevention
- Standard Warranty: 5 years parts, 7 years compressor. Applies to systems purchased before June 1st 2015*
- Extended Warranty: 10 years parts, 10 years compressor. Systems that have been installed on or after June 1st 2015 by licensed contractors and the online Product Registration has been submitted.**
- Elite Contractor Extended Warranty: 12 years parts, 12 years compressor. Systems that have been installed on or after June 1st 2015 by contractors who have met requirements and have been approved for elite contractor status plus, the online Product Registration has been submitted. ***



Model Information

Condenser..... AOU24CL1
 Evaporator..... ASU24CL1

Electrical..... 208/230V AC 1ph-60Hz
 Available Voltage Range..... 187/253 V AC
 Max Fuse Size..... 20A
 Max Operating Current..... 11.5 A

Input Power
 Cooling..... 2.40 kW

Running Current
 Cooling..... 10.5 A

Capacity
 Nominal Cooling..... 24,000 Btu/h
 Min-Max Cooling..... 3,100 – 25,000 Btu/h

Compressor..... Rotary (inv x1)
 Motor Output..... 1,100 W
 Refrigerant..... R410a
 Charge..... 2 lbs. 13.9oz.
 Oil..... POE (VG74)

Fan Motor
 Type: DC (condenser)..... Propeller x1
 Type: DC (evaporator)..... Cross flow fan x1
 Motor Output (condenser)..... 40 W
 Motor Output (evaporator)..... 40 W
 Thermal Protection

Evaporator (off) 212°±27°F -18°F (100°±15°C -10°C) / (on) 203°±9°F -18°F (95°C +5°C -10°C)
 Condenser..... (off) 212°±9°F (100°±10°C) / (on) 203°±50°F (95°C ±10°C)

Heat Exchanger
 (condenser)
 (H x W x D) in. (mm)..... 23-1/8 x 34-11/16 x 1-7/16 (588x881x36.4)
 Fin Pitch..... 1.3 FPI
 Rows x Stages..... 2 x 28
 Pipe Type (Material)..... Copper
 Fin Type (Material)..... Aluminum (Blue Fin)

Operation Temperature Range

Cooling..... 14°F - 115°F (-10°C - 46°C)

Efficiency
 SEER..... 17.5
 EER (cooling)..... 10.0 Btu/hW
 Sensible Capacity..... 5.33kW

Enclosure
 Material
 Evaporator..... Polystyrene
 Condenser..... Painted galvanized steel
 Color
 Evaporator..... White
 Condenser..... Beige (10 YR 7.5/1.0 NN)

Sound Pressure Level
 Condenser..... 56 dB(A)
 Evaporator..... 48 dB(A)

Dimensions
 H x W x D
 Condenser in. (mm)..... 24-7/16 x 31-1/88 x 11-3/4 (620x790x298)
 Evaporator in. (mm)..... 12-5/8 x 39-1/4 x 9 (320x998x228)

Connection Pipe
 Liquid..... 1/4"
 Gas..... 5/8"
 Method (Liquid/Gas)..... Brazing
 Max Length { (Pre-charge) }..... 98 ft. (30m) {(49 ft. 15 m)}
 Minimum Length..... 9 ft.
 Max Height Difference..... 66 ft. (20m)

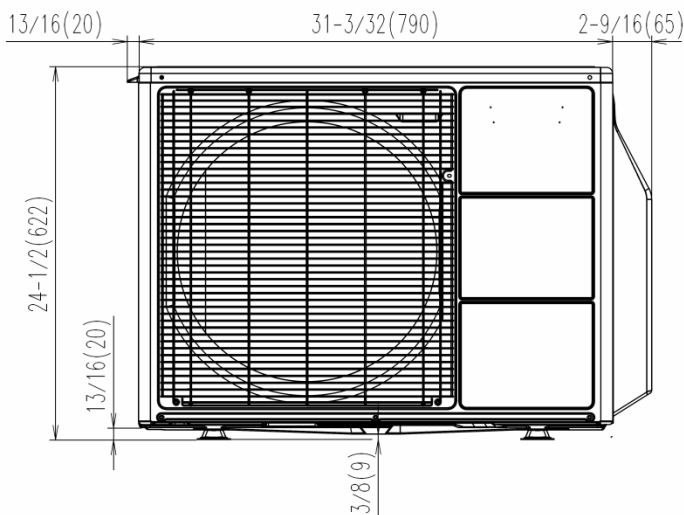
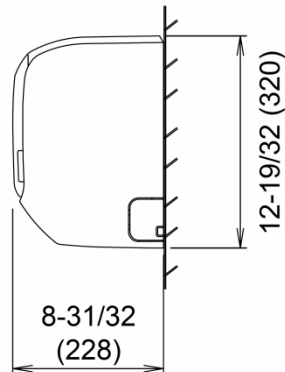
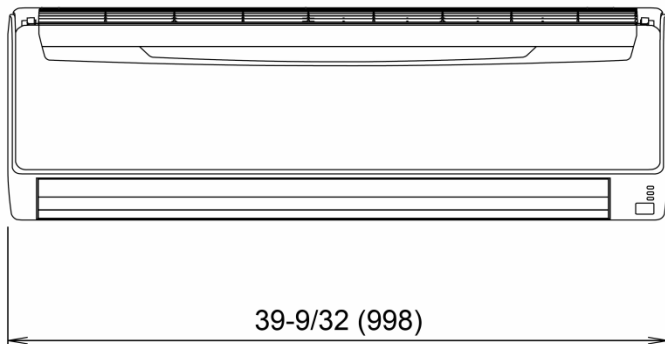
Weight
 Condenser..... 88 lbs. (40 kg)
 Evaporator..... 31 lbs. (14 kg)

Accessories
 UTY-RNBYU..... Wired remote control
 UTY-XWZX..... Dry contact wire kit

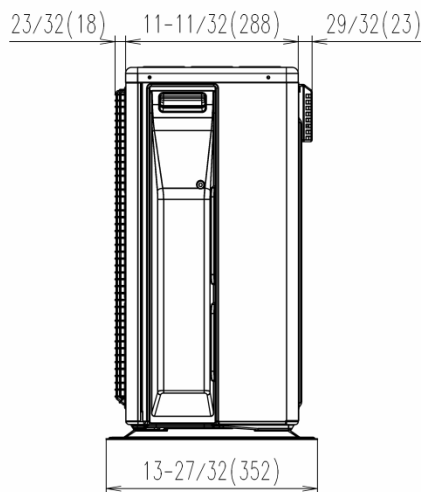
Note: Specifications are based on the following conditions:
 Cooling: Indoor temperature of 80°F (26.7°C) DB/67°F (19.4°C) WB, and outdoor temperature of 95°F (35°C) DB/75°F (23.9°C) WB.
 Heating: Indoor temperature of 70°F (21.1°C) DB/59°F (15°C) WB, and outdoor temperature of 47°F (8.33°C) DB/43°F (6.11°C) WB.
 Pipe length: 24ft. 7in. (7.5m), Height difference: 0ft. (0m) (Outdoor unit - indoor unit) (*Standard warranty / **10 year warranty / ***12 year warranty)

Dimensions: 24CL1

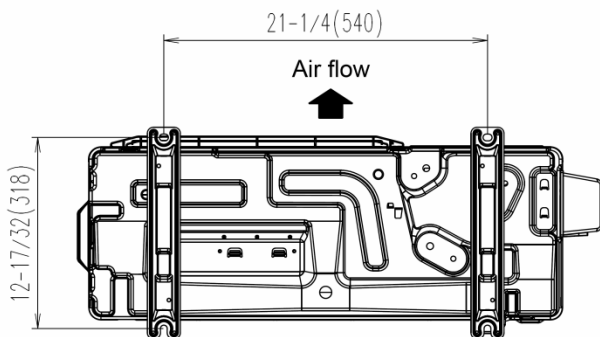
[Unit: in. (mm)]



Front view



Side view



Bottom view

